



MODELS 

NO. Tracked Bulldozer

24020

244+ Pcs/Pza



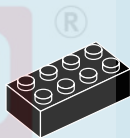


广东宇星科技
Mould King



产品资讯

Product Information



积木补件

Brick Replacement Service



售后服务

After-sales Service

Customer Service

客户服务



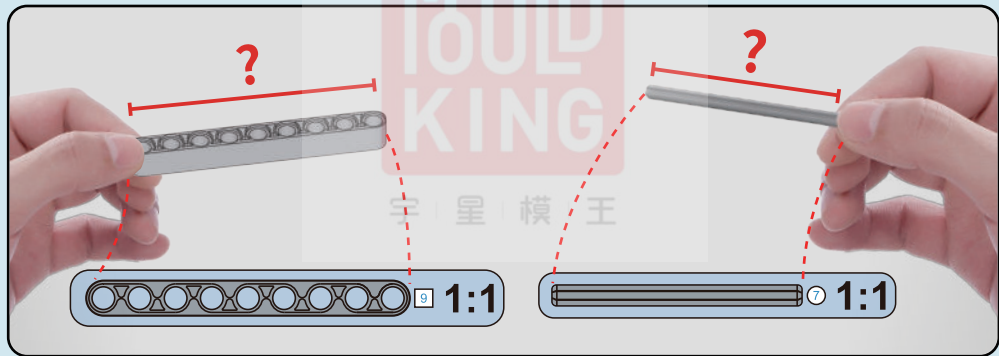
www.yx-mk.com

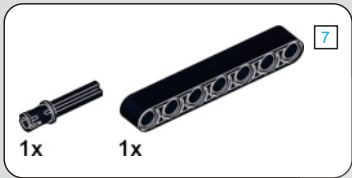


"酷砖家"是宇星模王设立的特殊标识，代表着产品的独特性和原创性。每一款带有"酷砖家"标志的积木套装，都由宇星的原创团队或者与宇星有密切合作的全球顶尖设计师亲自设计或授权。这个标识是我们对消费者的承诺，确保他们可以享受到独一无二且高品质的积木拼搭体验。

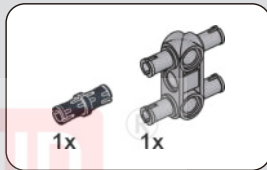
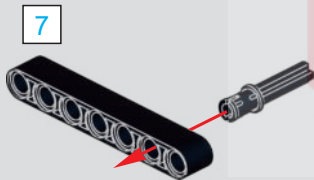
"Bri X pert" is a special mark established by MOULD KING, representing the uniqueness and originality of the product. Every building set with the "Bri X pert" logo is personally designed or authorized by MOULD KING's innovative team or world-class designers who work closely with MOULD KING. This logo is our commitment to consumers, ensuring that they can enjoy a unique and high-quality building experience.

OPEN

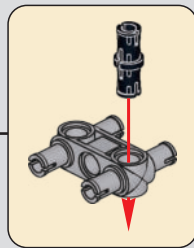
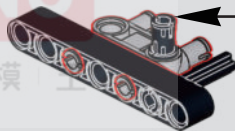




1

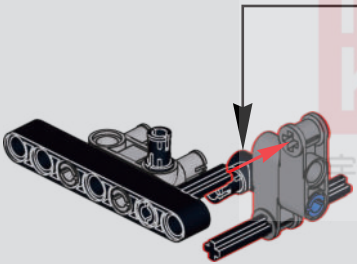


2

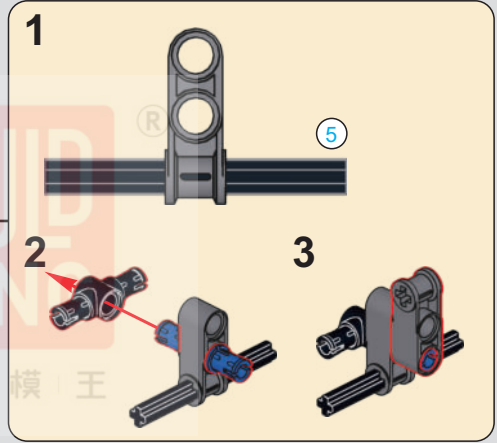


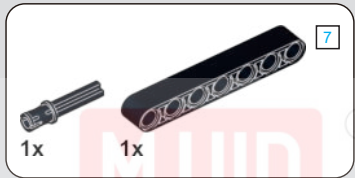


3



2

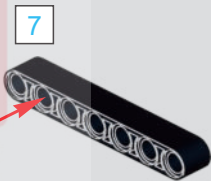


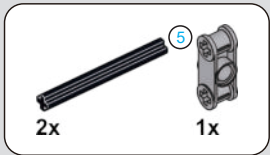


4

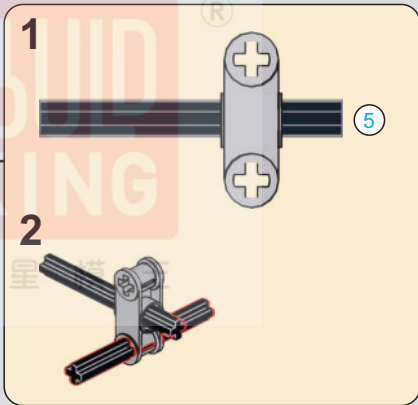
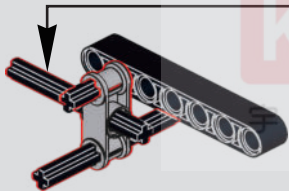
MOULD
KING

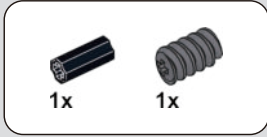
宇 | 星 | 王



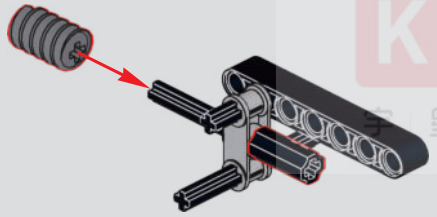


5

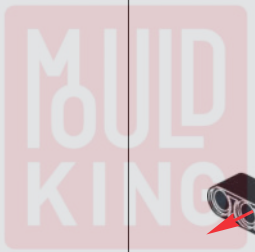
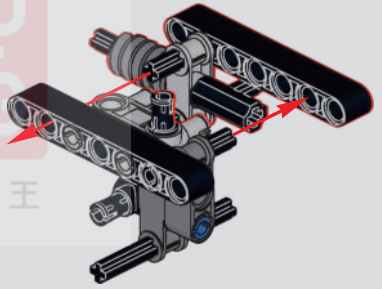




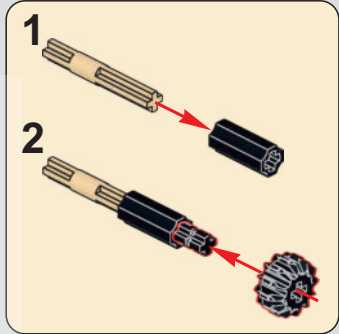
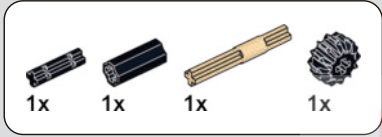
6



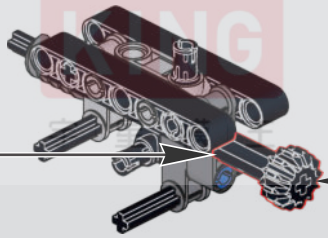
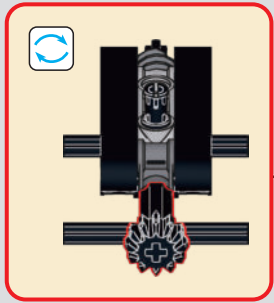
7

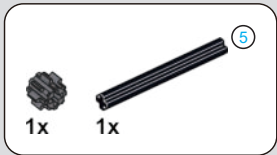


星模王

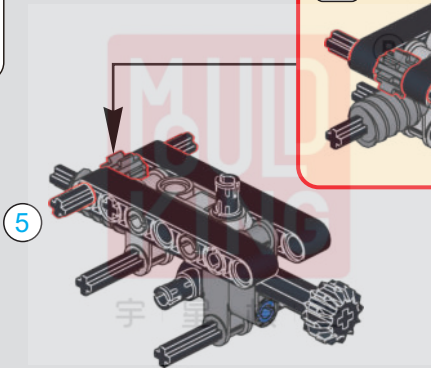
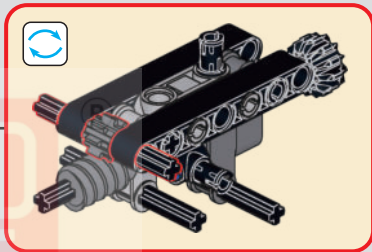


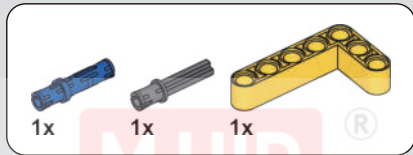
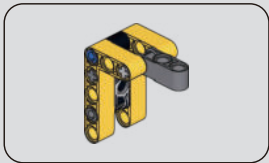
8



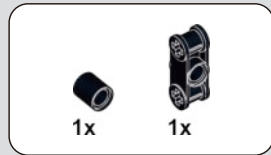
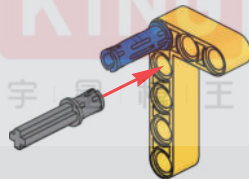


9

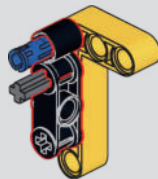


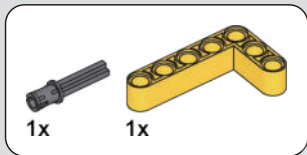


10

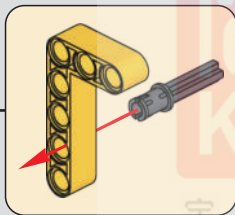
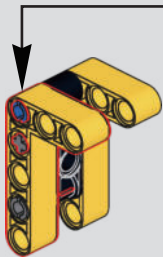


11

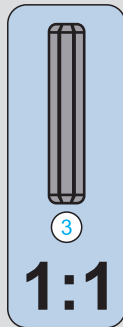
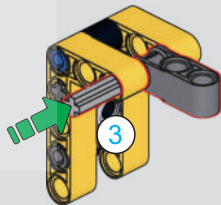




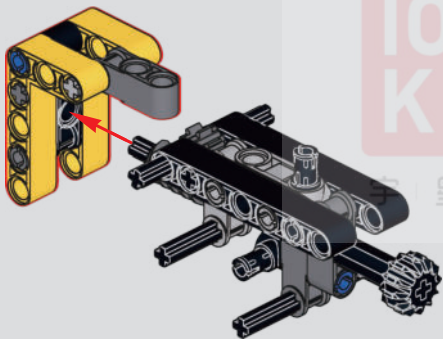
12



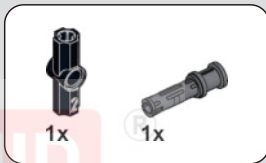
13



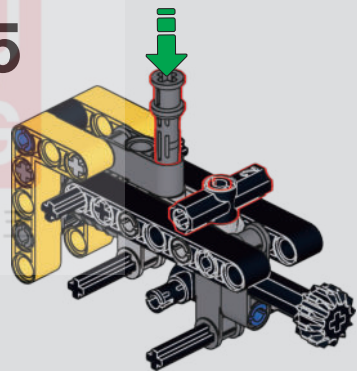
14



10

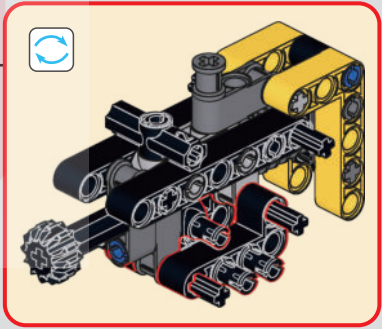
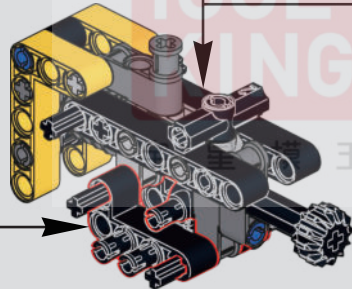
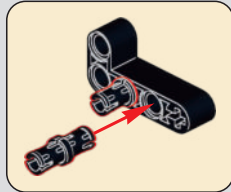
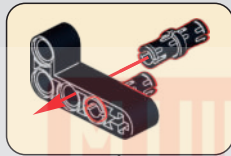


15





16



(Technic Pin without Friction)
(光滑栓)

1x 1x 1x 1x

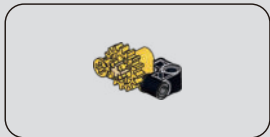
5

5 1:1

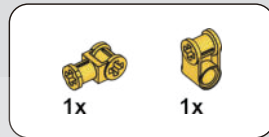
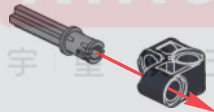
17

5

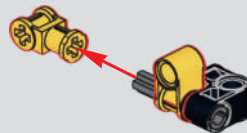
12



18



19



(Technic Pin without Friction)
(光滑栓)

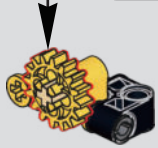
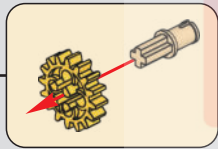


1x



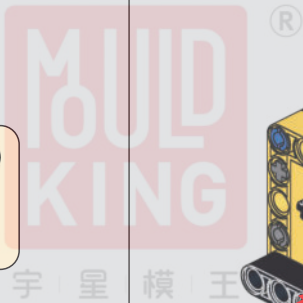
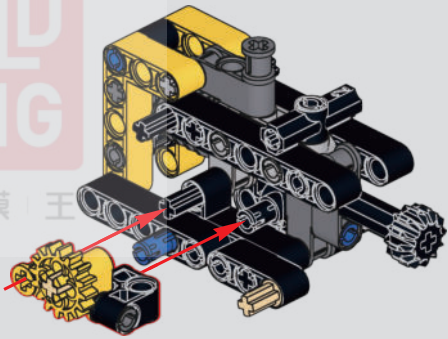
1x

20



14

21





1x

22



(Technic Pin without Friction)
(光滑栓)

1x 1x 1x 1x

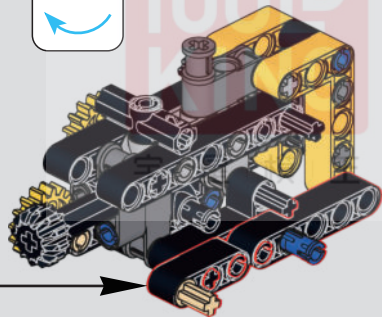
5

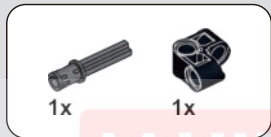
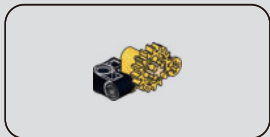
5 1:1

23

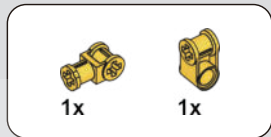


5

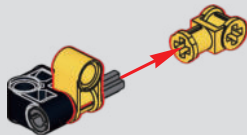




24



25



(Technic Pin without Friction)
(光滑栓)

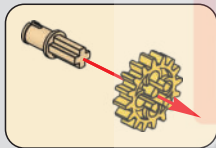


1x



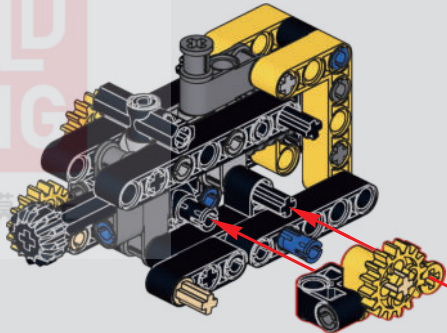
1x

26



18

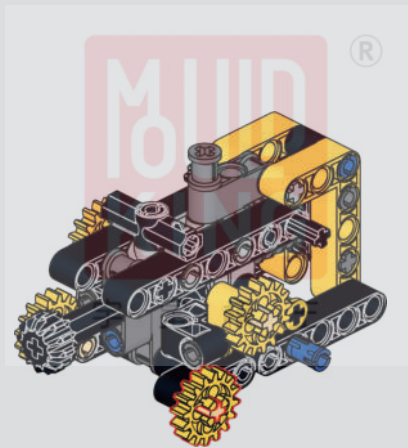
27

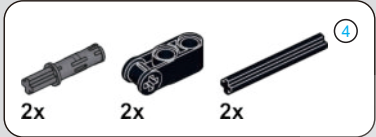




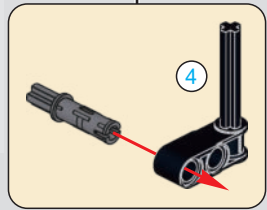
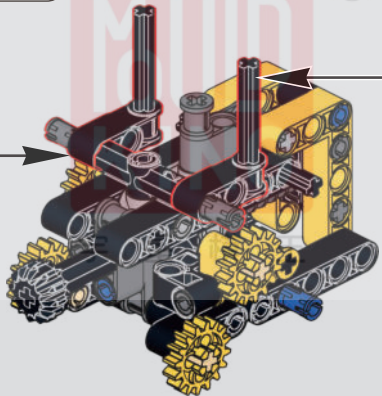
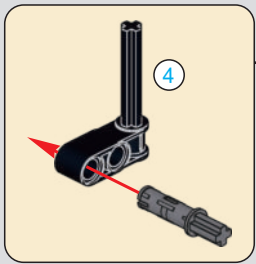
1x

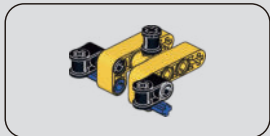
28



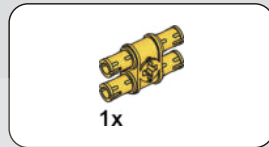


29

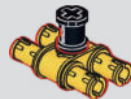


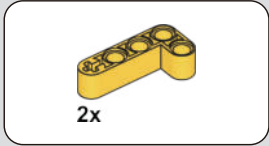


30

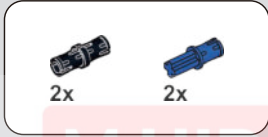
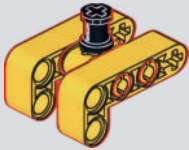


31

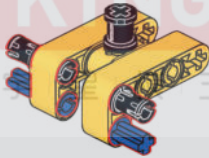




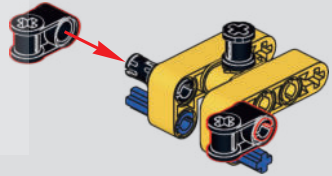
32



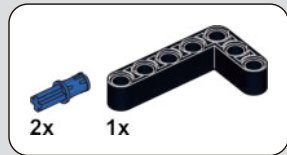
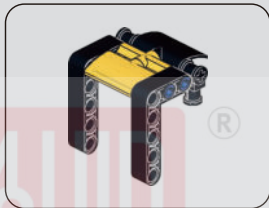
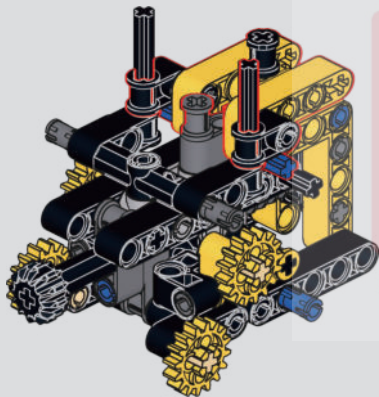
33



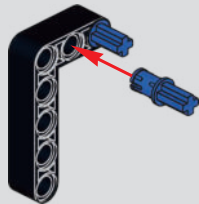
34

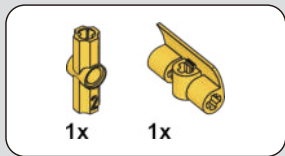


35

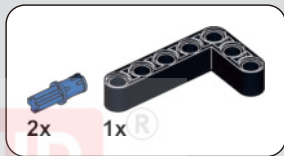
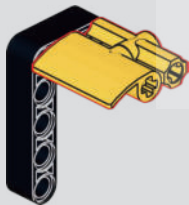


36

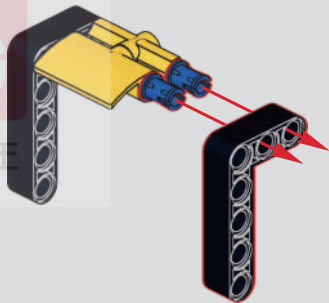


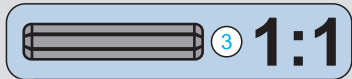
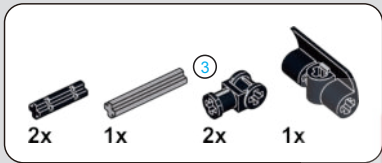


37

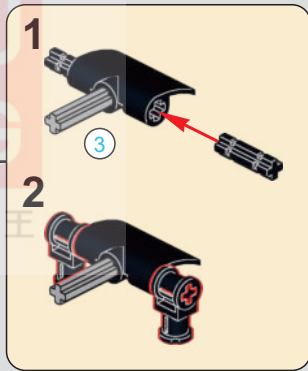
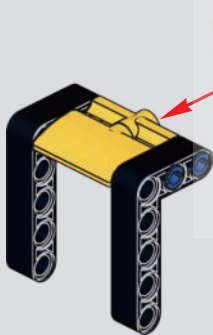


38

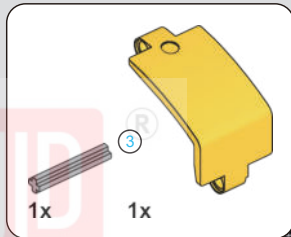
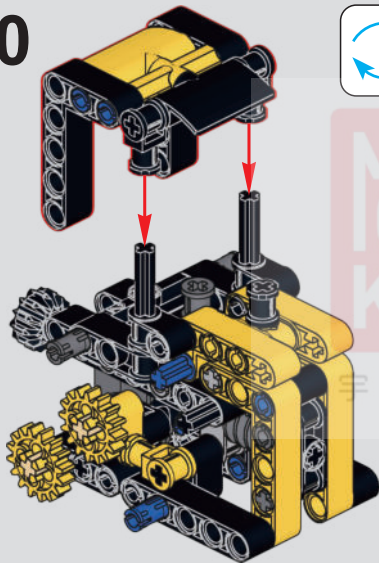




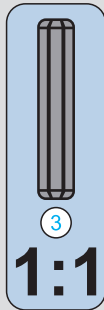
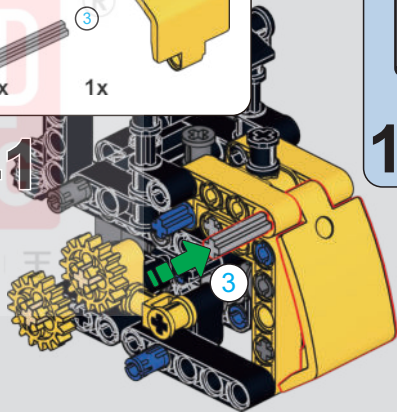
39

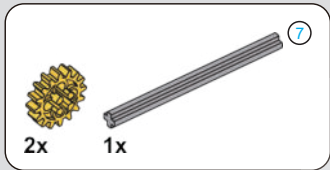


40

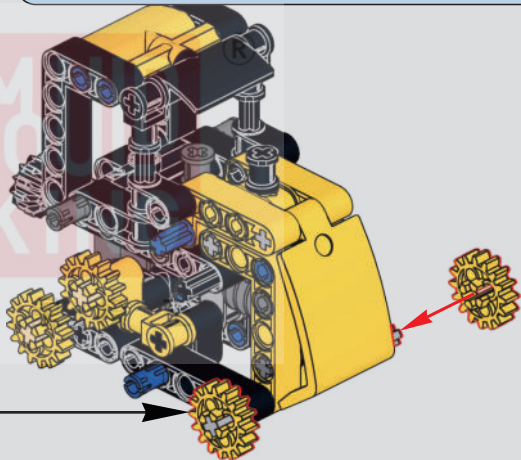
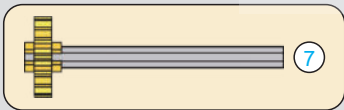


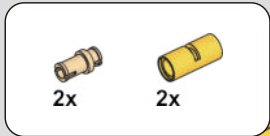
41



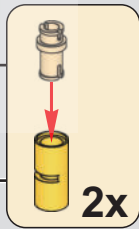
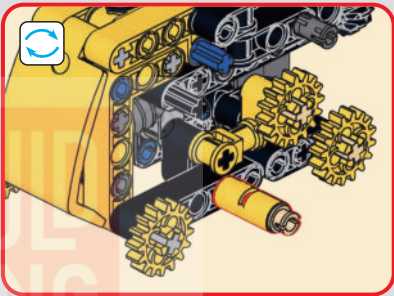
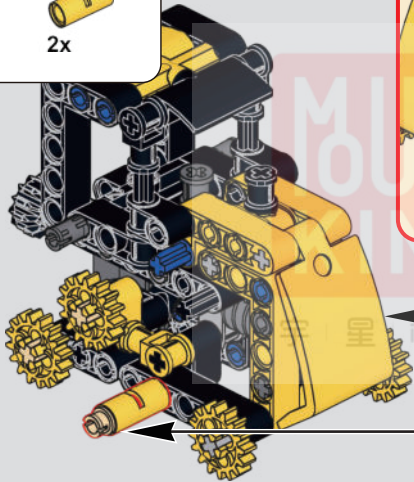


42





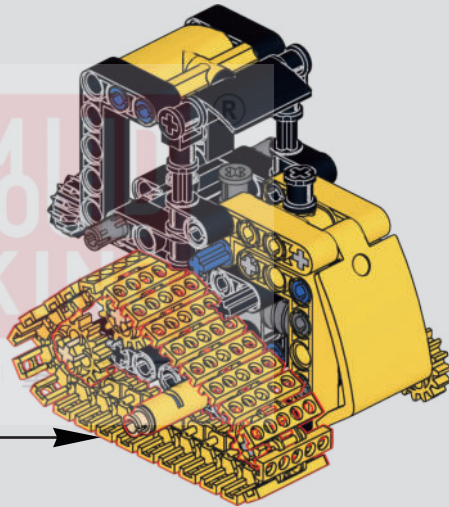
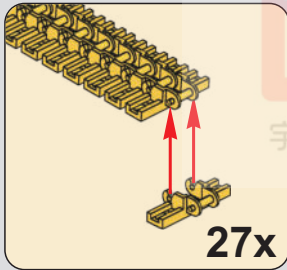
43





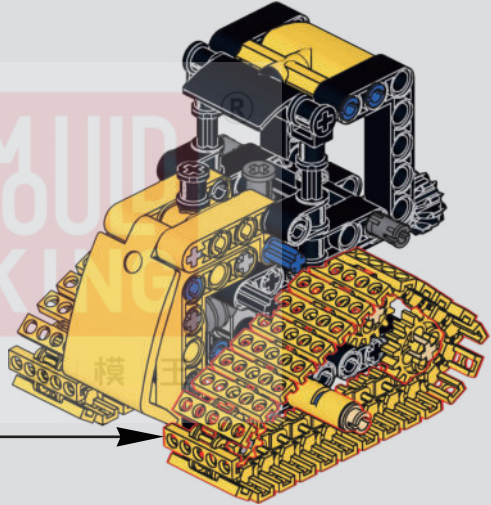
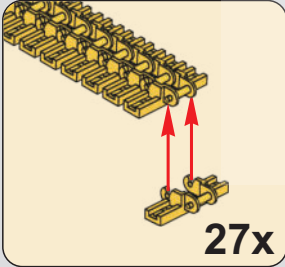
27x

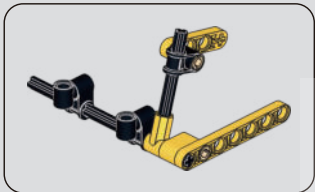
44



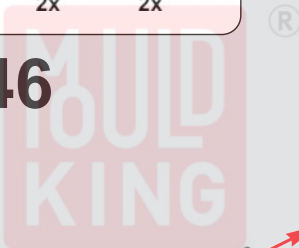


45

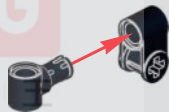




46



宇 | 星 | 模



2x



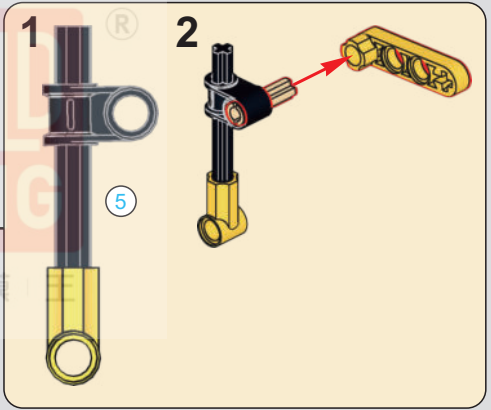
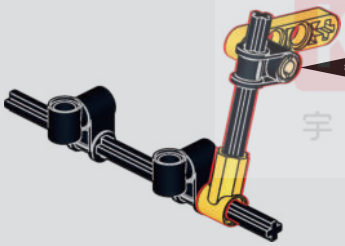
47

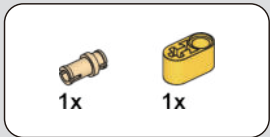


(Technic Pin without Friction)
(光滑栓)

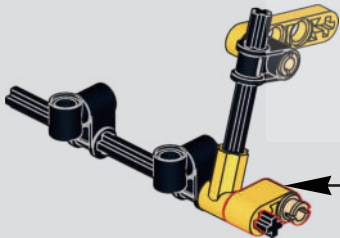
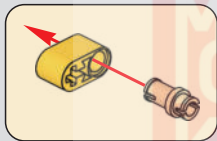


48

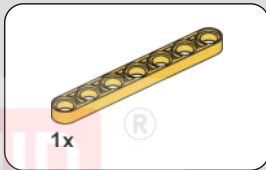




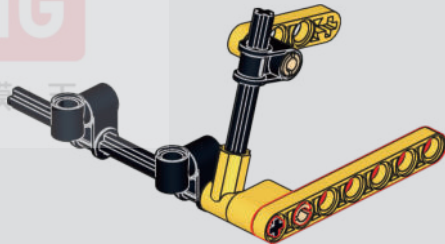
49



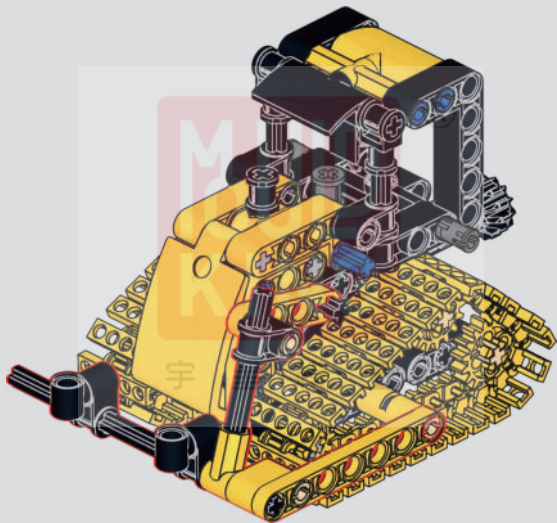
34



50



51



(Technic Pin without Friction)

(光滑栓)



1x



1x



1x



1x



1x

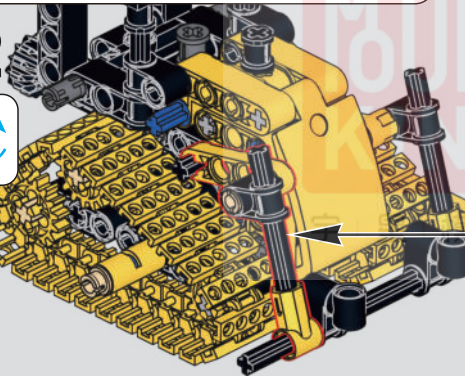
5



5

1:1

52

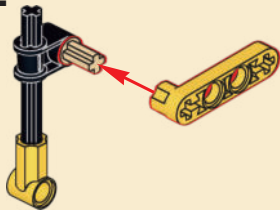


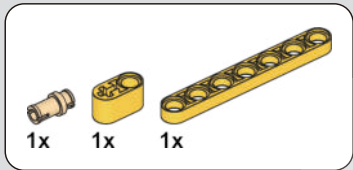
1



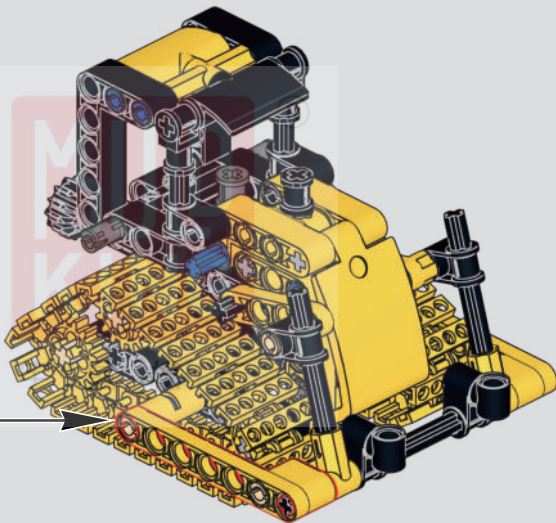
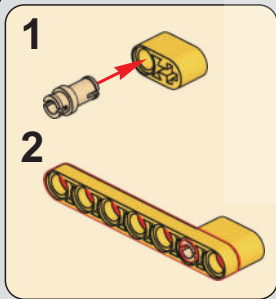
5

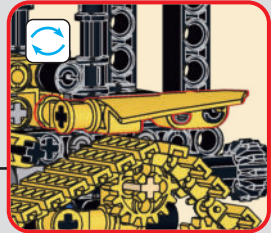
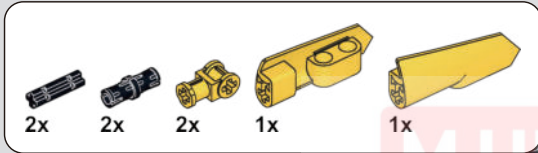
2



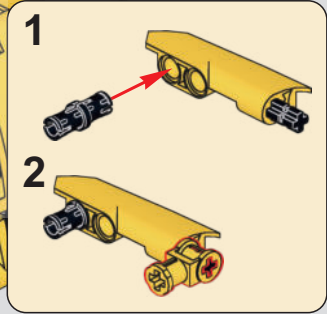
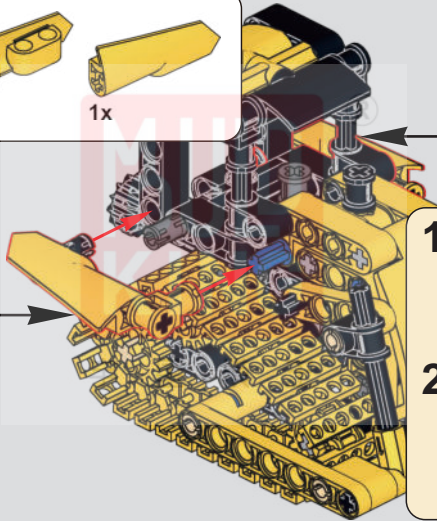
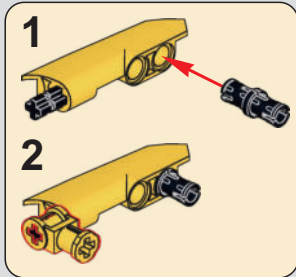


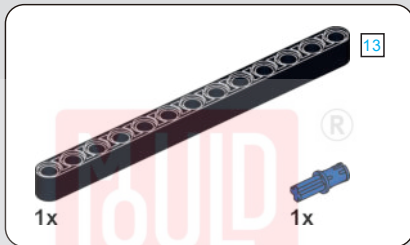
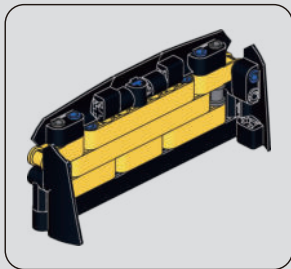
53





54

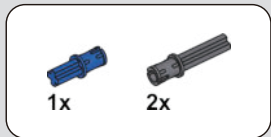




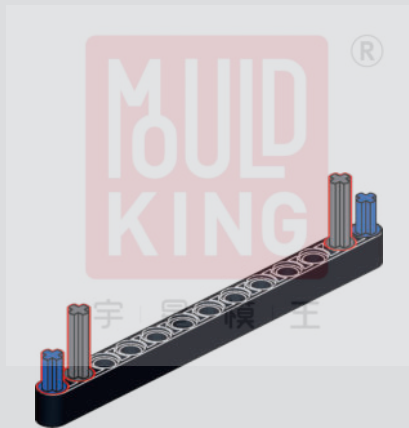
55

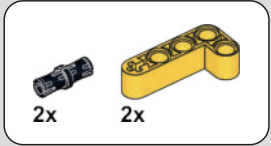
13



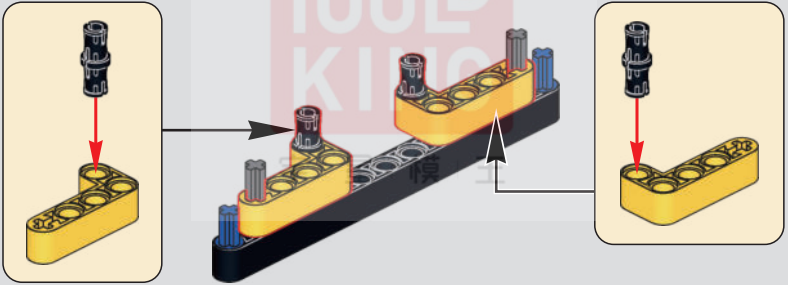


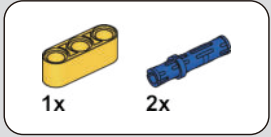
56



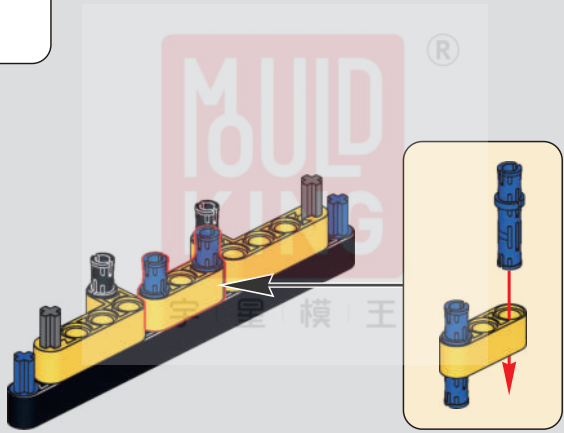


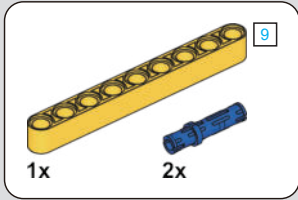
57



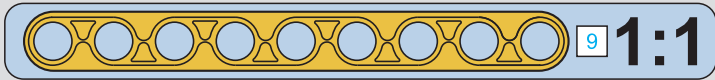
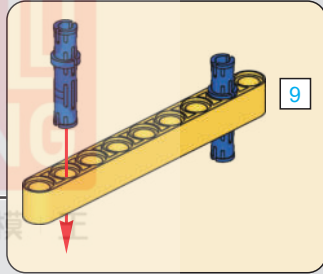
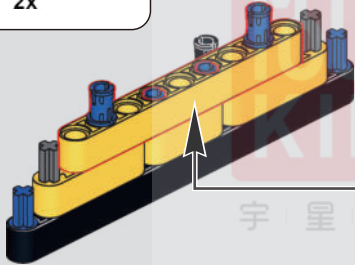


58



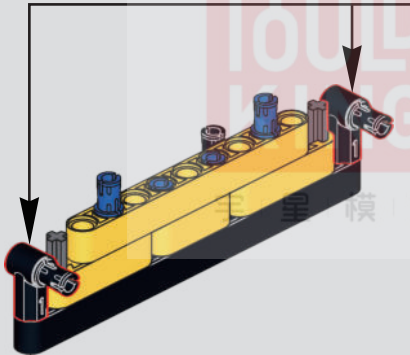
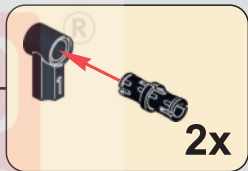


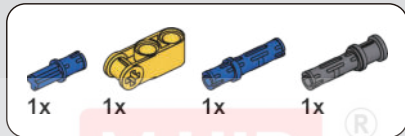
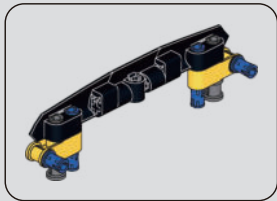
59





60

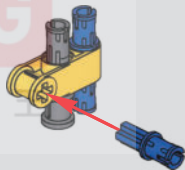




61

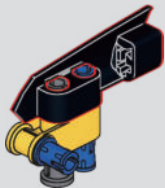
MOULD
KING

宇 | 星 | 模 | 工





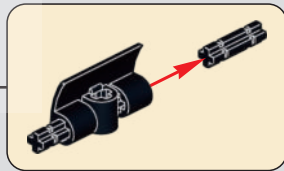
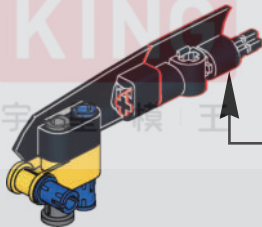
62

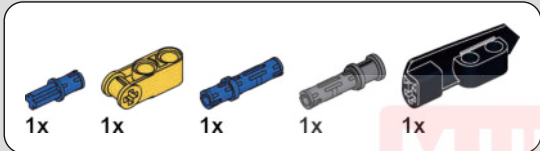


46

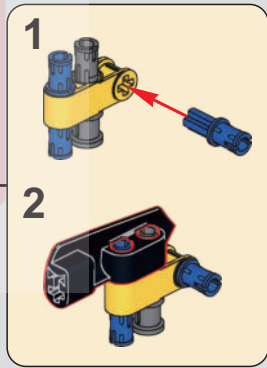
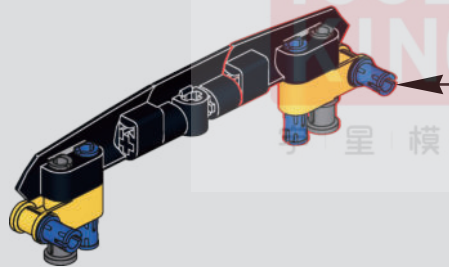


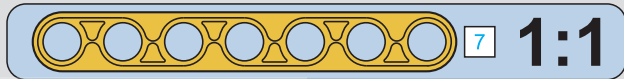
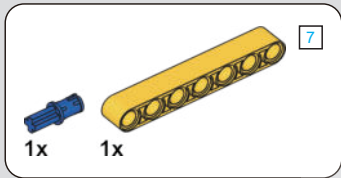
63



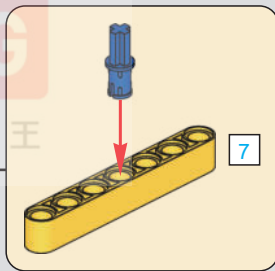
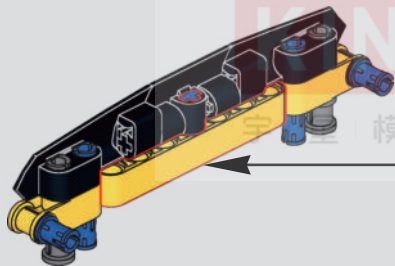


64

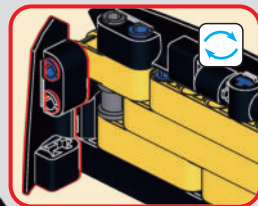
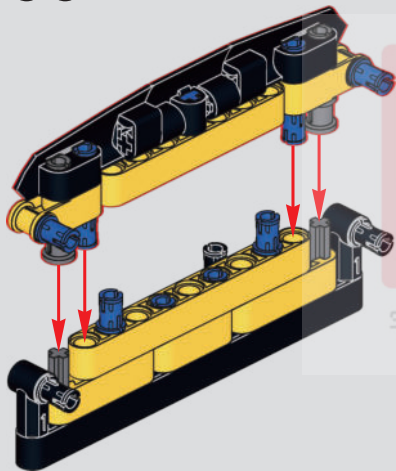




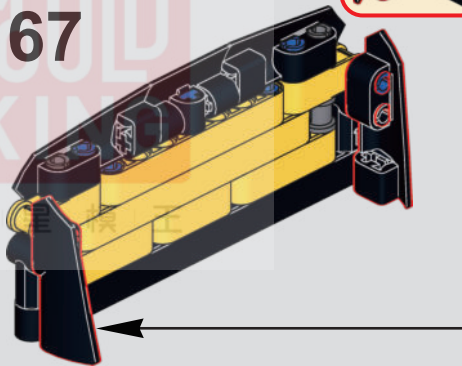
65



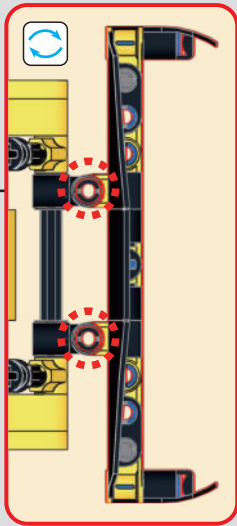
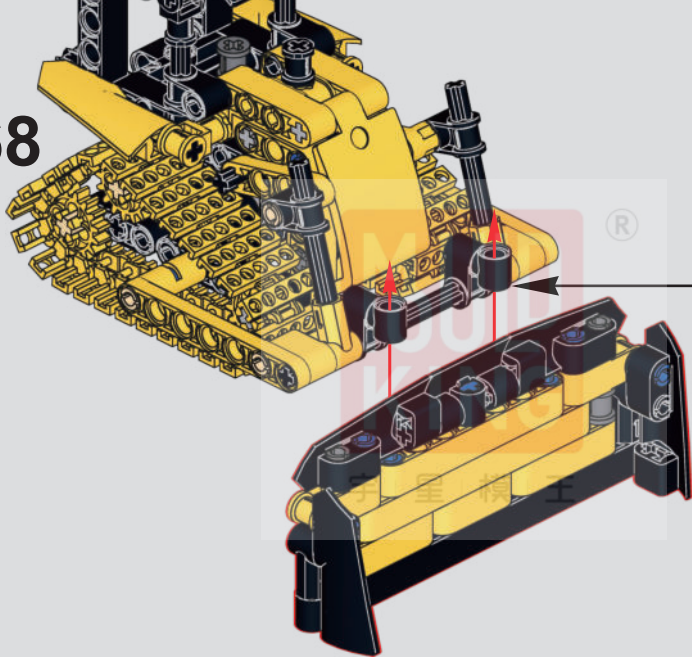
66



67



68



69

